



REVOLVE120
All-in-one Solar Streetlight



REVOLVE120 All-in-one Solar Streetlight

All-in-one Solar Luminaire for Road and General Outdoor Lighting

This newly designed Solar All-in-one luminaire is an outdoor lighting product equipped with a microwave motion sensor and has a sleek aluminum design. Available in five different lumen variants and light output up to 17,500 lumens, the Solar AIO can be designed for a wide variety of application areas from road lighting, to perimeter and general outdoor lighting. Its system efficiency is as high as 185lm/W. It is equipped with the state-of-art solar panel with tilt-able bracket option to absorb maximum sunlight and the adjustable design of LED modules ensuring maximum efficacy and light coverage as per requirement.

Features and Benefits

Comprehensive Range for Variety of Applications

Equipped with microwave sensor for automated dimming. Ambient operating temperature T_a 55°C. Adjustable LED modules for maximum coverage and efficacy.

Improve Life at Night With Enhanced Vision

Bringing light to remote off grid locations. Enhancing safety and well-being.

Affordable & Easy To Implement

No cost for electrical infrastructure. Quick and easy to install (all in one) solar lighting solution.

Renewable and Green Energy

100% energy saving using green renewable solar energy source. Universal mounting bracket for maximum sunlight absorption.

Affordable, reliable and sustainable all-in-one solar solution for outdoor and street lighting applications



Applications:

- Outdoor/Garden Area Lighting
- Open Parking Areas
- Walking/Cycling Tracks
- Secondary/Community Roads

Upto 17500 lumens

Upto 185 lm/w

Ta +55°C

Maximum Sunlight Absorption

3G Vibration Resistant

Technical Specification : All-in-One Solar LED Streetlight Upto One Night Backup

	5000 lumen	7200 lumen	9000 lumen	12000 lumen	17500lm
(±5%) Power	27W	40W	50W	67W	95W
Input Voltage	12VDC	12VDC	12VDC	12VDC	24VDC
Control Option	Microwave Sensor				
Photometric Data					
Lens	Polycarbonate (PC)				
Efficacy(lm/w) (±10%)	185 lm/w	180 lm/w	180 lm/w	180 lm/w	185 lm/w
Luminous Flux (lm) (±10%)	5000	7200	9000	12000	17,500
ULOR	= 0%, @ Luminaire Inclination 0°				
CCT	5700K (4000K on request)				
CRI	Ra>=70				
Mechanical Data					
IP Rating	IP65				
IK Rating	IK08				
Housing	Heavy- Duty Die- Cast Aluminum				
Surface Treatment	Anti-UV Thermosetting Polyester				
Housing Color	Standard: Light Grey RAL: 9006 (Dark Grey on Request)				
Mounting	Universal Mounting Bracket				
Solar Panel and Battery Data					
Photovoltaic Panel	Single Side Monocrystalline Solar Panel				
(±5%) Solar Panel	18V/25W	16V/40W	18V/50W	18V/60W	36V/80W
Lithium Ferro Phosphate Battery (LiFePo4)	153.6WH	230.4WH	307.2WH	384.0WH	614.4WH
	12.8V12AH	12.8V18AH	12.8V24AH	12.8V30AH	25.6V24AH
Battery Back Up	One night self support with dimming profile with microwave sensor				
Battery Lifespan	>2000 times cycle				
Ambient Temperature	0°C to +55°C				
Charge Controller	MPPT Intelligent Controller				
Package Info					
Product Size	560*366*133mm	750*366*133mm	910*366*133mm	1080*366*133mm	1345*366*133mm
Net Weight	8.3kg	9.7kg	11.4kg	13kg	16.8kg
Carton Size	820*210*440mm	865*210*440mm	1025*210*440mm	1195*210*440mm	1460*210*440mm
Gross Weight	10.5kg	11.9kg	13.9kg	15.6kg	20kg
Others Specifications					
Lifespan	L70 B50 : 50,000hrs @ Ta +25°C				
Warranty	Standard 3 Year Warranty (5 Years warranty optional)				
Recommend Installation Height	5-8m	5-8m	6-9m	6-10m	8-12m
Application Field	Urban and Rural Street				

*Data subject to change

Dimming Profile (Configurable)

Steps	With Motion Dim	Without Motion Dim	Duration	Occupancy
	Dim	Dim	Hrs	
T1 (Starts at dusk)	100%	30%	2	50%
T2	60%	20%	3	30%
T3	30%	10%	5	30%
T4 (Ends at dawn)	60%	30%	2	50%
	Night Length		12	

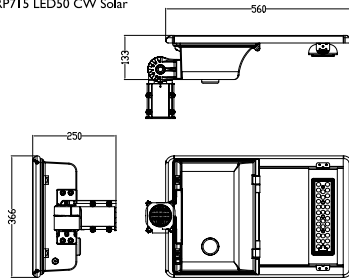
Product Information

Product Model	Battery Back Up	Warranty
REVOLVE120 AIO 180S/757 SOLAR 5	1 Night	5 Years (Optional; on request)
REVOLVE120 AIO 120S/757 SOLAR 5	1 Night	5 Years (Optional; on request)
REVOLVE120 AIO 90S/757 SOLAR 5	1 Night	5 Years (Optional; on request)
REVOLVE120 AIO 70S/757 SOLAR 5	1 Night	5 Years (Optional; on request)
REVOLVE120 AIO 50S/757 SOLAR 5	1 Night	5 Years (Optional; on request)
REVOLVE120 AIO 180S/757 SOLAR	1 Night	3 Years
REVOLVE120 AIO 120S/757 SOLAR	1 Night	3 Years
REVOLVE120 AIO 90S/757 SOLAR	1 Night	3 Years
REVOLVE120 AIO 70S/757 SOLAR	1 Night	3 Years
REVOLVE120 AIO 50S/757 SOLAR	1 Night	3 Years

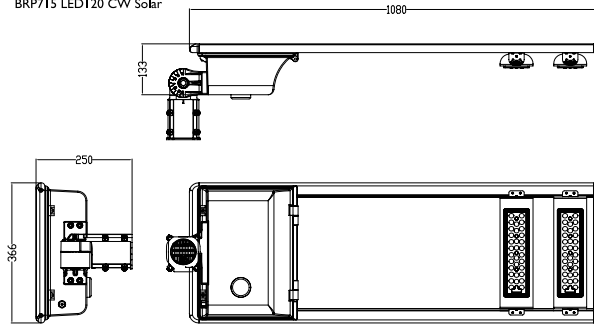
*Data subject to change

Product Dimensions (For One Night Backup)

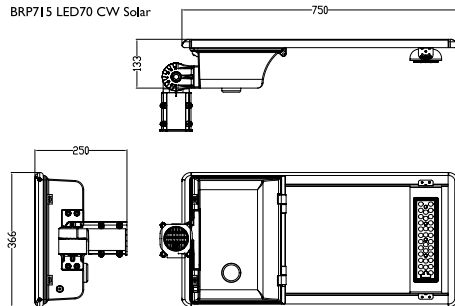
BRP715 LED50 CW Solar



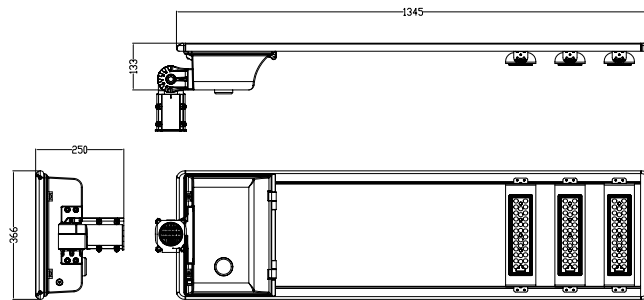
BRP715 LED120 CW Solar



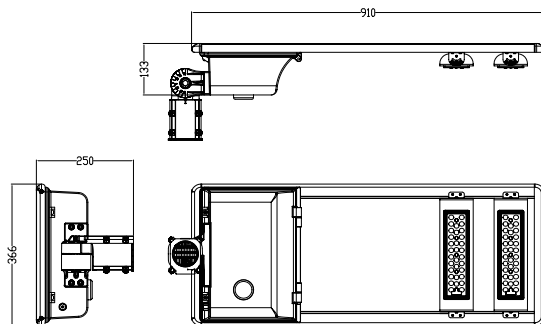
BRP715 LED70 CW Solar



BRP715 LED180 CW Solar



BRP715 LED90 CW Solar



Technical Specification : All-in-One Solar LED Streetlight Upto Two Night Backup

	5000 lumen	7200 lumen	9000 lumen	12000 lumen	17500lm
Power (±5%)	27W	40W	50W	67W	95W
Input Voltage	12VDC	12VDC	12VDC	12VDC	24VDC
Control Option	Microwave Sensor				
Photometric Data					
Lens	Polycarbonate (PC)				
Efficacy (lm/w)(±10%)	185 lm/w	180 lm/w	180 lm/w	180 lm/w	185 lm/w
Luminous Flux (lm)(±10%)	5000	7200	9000	12000	17,500
ULOR	= 0%, @ Luminaire Inclination 0°				
CCT	5700K (4000K on request)				
CRI	Ra>=70				
Mechanical Data					
IP Rating	IP65				
IK Rating	IK08				
Housing	Heavy- Duty Die- Cast Aluminum				
Surface Treatment	Anti-UV Thermosetting Polyester				
Housing Color	Standard: Light Grey RAL: 9006 (Dark Grey on Request)				
Mounting	Unversal Mounting Bracket (17,500 lumens with 2 nights backup is only post top version)				
Solar Panel and Battery Data					
Photovoltaic Panel	Single Side Monocrystalline Solar Panel				
(±5%) Solar Panel	18V/50W	18V/80W	18V/90W	18V/100W	36V/160W
Lithium Ferro Phosphate Battery (LiFePo4)	384.0WH	537.6WH	614.4WH	844.8WH	1228.8WH
	12.8V30AH	12.8V42AH	12.8V48AH	12.8V66AH	25.6V48AH
Battery Back Up	Two nights self support with dimming profile with microwave sensor				
Battery Lifespan	>2000 Times Cycle				
Ambient Temperature	0°C to +55°C				
Charge Controller	MPPT Intelligent Controller				
Package Info					
Product Size	910*366*133mm	1345*366*133mm	1535*366*133mm	1670*366*133mm	1812*522*133mm
Net Weight	11.6 kg	15 kg	16.8 kg	23.8 kg	35.9 kg
Carton Size	1025*210*440mm	1460*210*440mm	1650*210*440mm	1790*210*440mm	1930*600*200mm
Gross Weight	14.1 kg	18.1 kg	20.7 kg	27.7 kg	40.3 kg
Others Specifications					
Lifespan	L70 B50: 50,000hrs @ Ta 25°C				
Warranty	Standard 3 Year Warranty (5 Years warranty optional)				
Recommend Installation Height	5-8m	5-8m	6-9m	6-10m	8-12m
Application Field	Urban and Rural Street				

*Data subject to change

Dimming Profile (Configurable)

Steps	With Motion Dim		Without Motion Dim		Occupancy
	Dim	Hrs	Dim	Hrs	
T1 (Starts at dusk)	100%	3	50%	3	50%
T2	50%	3	40%	3	30%
T3	50%	4	30%	4	30%
T4 (Ends at dawn)	50%	2	30%	2	50%

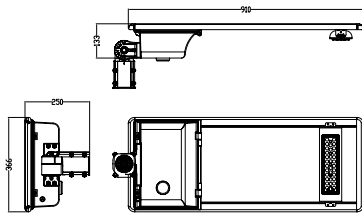
Product Information

Product Model	Battery Back Up	Warranty
REVOLVE120 AIO 180S/757 SOLAR PRO 5	2 Night	5 Years (Optional; on request)
REVOLVE120 AIO 120S/757 SOLAR PRO 5	2 Night	5 Years (Optional; on request)
REVOLVE120 AIO 90S/757 SOLAR PRO 5	2 Night	5 Years (Optional; on request)
REVOLVE120 AIO 70S/757 SOLAR PRO 5	2 Night	5 Years (Optional; on request)
REVOLVE120 AIO 50S/757 SOLAR PRO 5	2 Night	5 Years (Optional; on request)
REVOLVE120 AIO 180S/757 SOLAR PRO	2 Night	3 Years
REVOLVE120 AIO 120S/757 SOLAR PRO	2 Night	3 Years
REVOLVE120 AIO 90S/757 SOLAR PRO	2 Night	3 Years
REVOLVE120 AIO 70S/757 SOLAR PRO	2 Night	3 Years
REVOLVE120 AIO 50S/757 SOLAR PRO	2 Night	3 Years

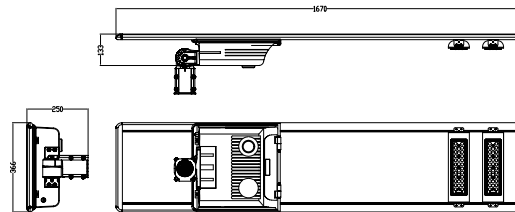
*Data subject to change

Product Dimensions (For Two Night Backup)

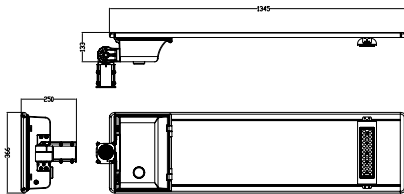
BRP715 LED50 CW Solar Pro



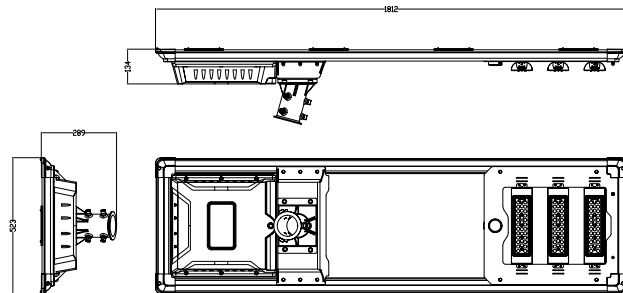
BRP715 LED120 CW Solar Pro



BRP715 LED70 CW Solar Pro



BRP715 LED180 CW Solar Pro



BRP715 LED90 CW Solar Pro

