

Installation Instructions

WARNING



Risk of Fire, Electrical Shock, Cuts or other Casualty Hazards- Installation and maintenance of this product must be performed by a qualified electrician. This product must be installed in accordance with the applicable installation code by a person familiar with the construction and operation of the product and hazards involved.



Risk of Fire and Electric Shock- Make certain power is OFF before starting installation or attempting any maintenance. Disconnect power at fuse or circuit breaker.



Risk of Fire- Refer to product label for specific minimum supply conductor requirements.



Risk of Burn- Disconnect power and allow fixture to cool before handling or servicing.

Risk of Personal Injury- Fixture may become damaged and/or unstable if not installed properly.

Failure to comply with these instructions may result in death, serious bodily injury and property damage.

Note: These instructions do not claim to cover all details or variations in the equipment, procedure, or process described, nor to provide directions for meeting every possible contingency during installation, operation or maintenance. When additional information is desired to satisfy a problem not covered sufficiently for user's purpose, please contact your nearest representative.


Note: Specifications and dimensions subject to change without notice.

DISCLAIMER OF LIABILITY: Cooper Lighting Solutions assumes no liability for damages or losses of any kind that may arise from the improper, careless, or negligent installation, handling or use of this product.

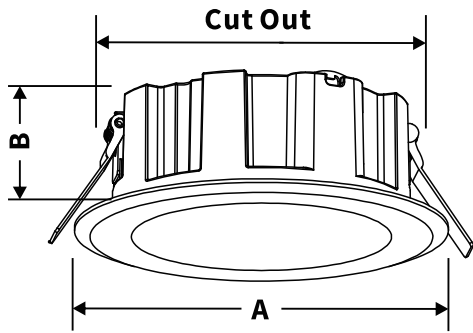
NOTICE: Green ground screw provided in proper location. Do not relocate.

ATTENTION Receiving Department: Note actual fixture description of any shortage or noticeable damage on delivery receipt. File claim for common carrier (LTL) directly with carrier. Claims for concealed damage must be filed within 15 days of delivery. All damaged material, complete with original packing must be retained.

Safety: This fixture must be wired in accordance with the National Electrical Code and applicable local codes and ordinances. Proper grounding is required to insure personal safety. Carefully observe grounding procedure under installation section.

Type Number	Power	Voltage	Frequency	CCT	
REVOLVE120 COB DL LED5/830 IP54 D75 REVOLVE120 COB DL LED5/840 IP54 D75 REVOLVE120 COB DL LED5/865 IP54 D75	5W	AC 220-240V	50/60Hz	3000K 4000K 6500K	0.15
REVOLVE120 COB DL LED6/830 IP54 D75 REVOLVE120 COB DL LED7/840 IP54 D75 REVOLVE120 COB DL LED7/865 IP54 D75	7W				0.15
REVOLVE120 COB DL LED9/830 IP54 D100 REVOLVE120 COB DL LED10/840 IP54 D100 REVOLVE120 COB DL LED10/865 IP54 D100	10W				0.235
REVOLVE120 COB DL LED19/830 IP54 D140 REVOLVE120 COB DL LED21/840 IP54 D140 REVOLVE120 COB DL LED21/865 IP54 D140	20W				0.390
REVOLVE120 COB DL LED28/830 IP54 D200 REVOLVE120 COB DL LED31/840 IP54 D200 REVOLVE120 COB DL LED31/865 IP54 D200	30W				0.680
REVOLVE120 COB DL LED36/830 IP54 D200 REVOLVE120 COB DL LED40/840 IP54 D200 REVOLVE120 COB DL LED40/865 IP54 D200	38W				0.680

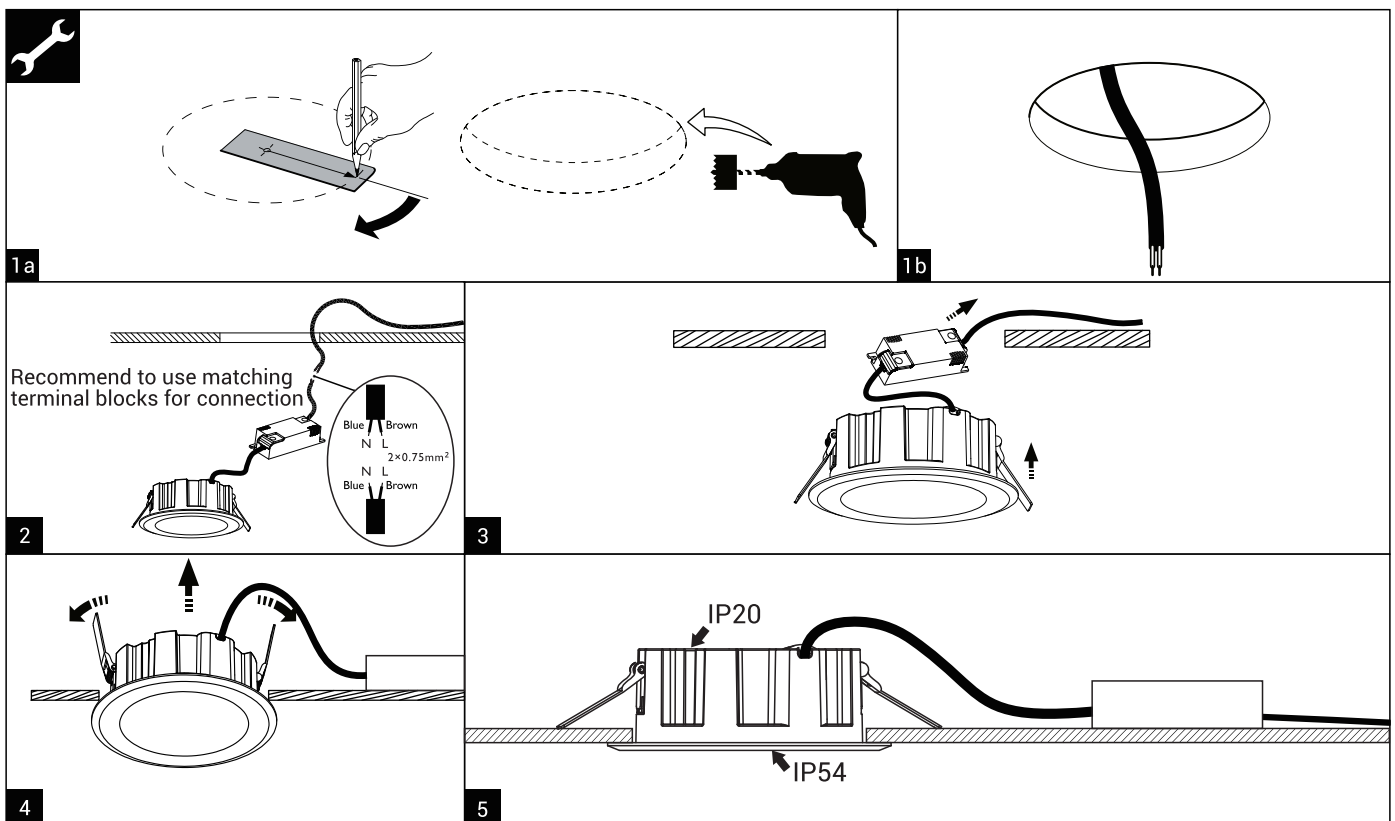
Dimensions



Size	A	B	Cut Out	Unit
D75	90	32	D75-80	mm
D100	120	45	D100-110	
D140	166	45	D140-150	
D200	225	45	D200-210	

Installation Instructions:

1. Turn off the Luminaire before installing.
2. Connect the Luminaire as the recommended implementation above. Make sure the connection points meet IP54.
3. Turn on Luminaire after installation completed.
4. The luminaire shall, under no circumstance, be covered with thermal insulation matting or similar material.
5. The light source contained in this luminaire shall only be replaced by the manufacturer or his service agent or a similar qualified person.
6. If the external flexible cable or cord of this luminaire is damaged, it shall be exclusively replaced by the manufacturer or his service agent or a similar qualified person in order to avoid a hazard.



APPLICATIONS: This lighting fixture is designed for indoor lighting services, and should not be used in area of limited ventilation or inside high ambient temperature enclosures. It must be stored in a dry location prior to installation. Do not expose lighting fixture to rain, dust or other environmental conditions prior to installation and insertion of photo control or shorting cap (if so equipped). Best results will be obtained if installed and maintained according to the following recommendations.