

# Installation Instructions

## ⚠ WARNING



**Risk of Fire, Electrical Shock, Cuts or other Casualty Hazards-** Installation and maintenance of this product must be performed by a qualified electrician. This product must be installed in accordance with the applicable installation code by a person familiar with the construction and operation of the product and hazards involved.



**Risk of Fire and Electric Shock-** Make certain power is OFF before starting installation or attempting any maintenance. Disconnect power at fuse or circuit breaker.



**Risk of Fire-** Refer to product label for specific minimum supply conductor requirements.

**Risk of Burn-** Disconnect power and allow fixture to cool before handling or servicing.



**Risk of Personal Injury-** Fixture may become damaged and/or unstable if not installed properly.

**Failure to comply with these instructions may result in death, serious bodily injury and property damage.**

**Note:** These instructions do not claim to cover all details or variations in the equipment, procedure, or process described, nor to provide directions for meeting every possible contingency during installation, operation or maintenance. When additional information is desired to satisfy a problem not covered sufficiently for user's purpose, please contact your nearest representative.


**Note:** Specifications and dimensions subject to change without notice.

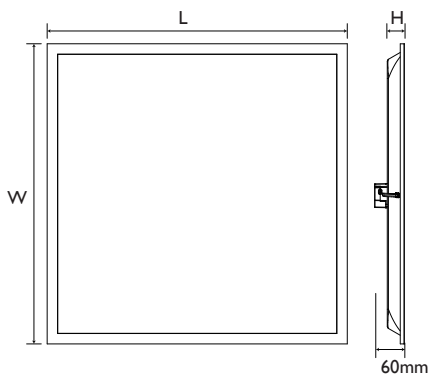
**DISCLAIMER OF LIABILITY:** Cooper Lighting Solutions assumes no liability for damages or losses of any kind that may arise from the improper, careless, or negligent installation, handling or use of this product.

**NOTICE:** Green ground screw provided in proper location. Do not relocate.

**ATTENTION Receiving Department:** Note actual fixture description of any shortage or noticeable damage on delivery receipt. File claim for common carrier (LTL) directly with carrier. Claims for concealed damage must be filed within 15 days of delivery. All damaged material, complete with original packing must be retained.

**Safety:** This fixture must be wired in accordance with the National Electrical Code and applicable local codes and ordinances. Proper grounding is required to insure personal safety. Carefully observe grounding procedure under installation section.

Type Number	Power	Voltage	Frequency	CCT	
REVOLVE120 PNL IP44 41S/840 6060	34W	AC 220-240V	50/60Hz	4000K	1.3
REVOLVE120 PNL IP44 41S/865 6060	34W	AC 220-240V	50/60Hz	6500K	1.3



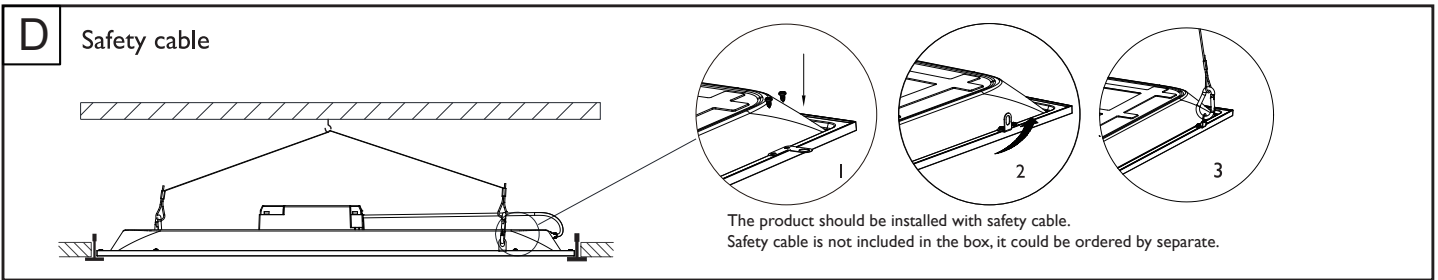
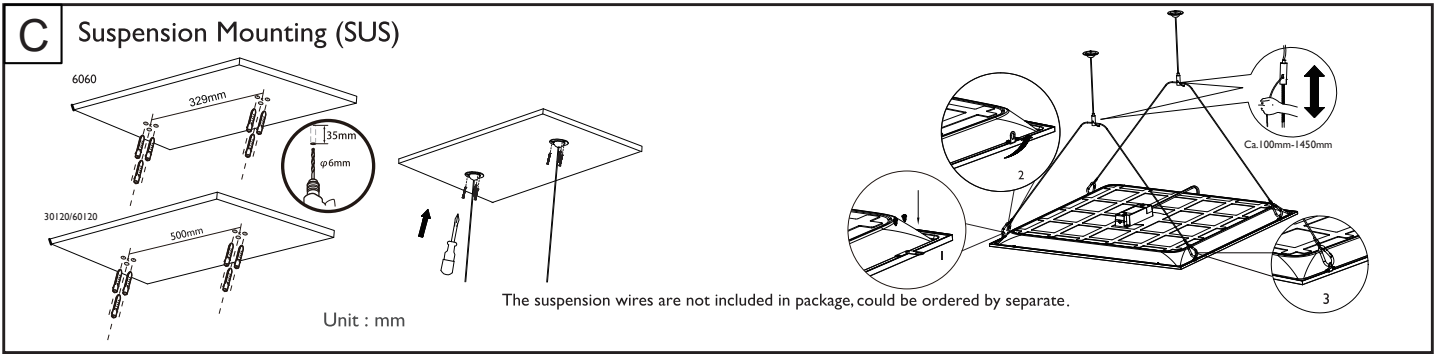
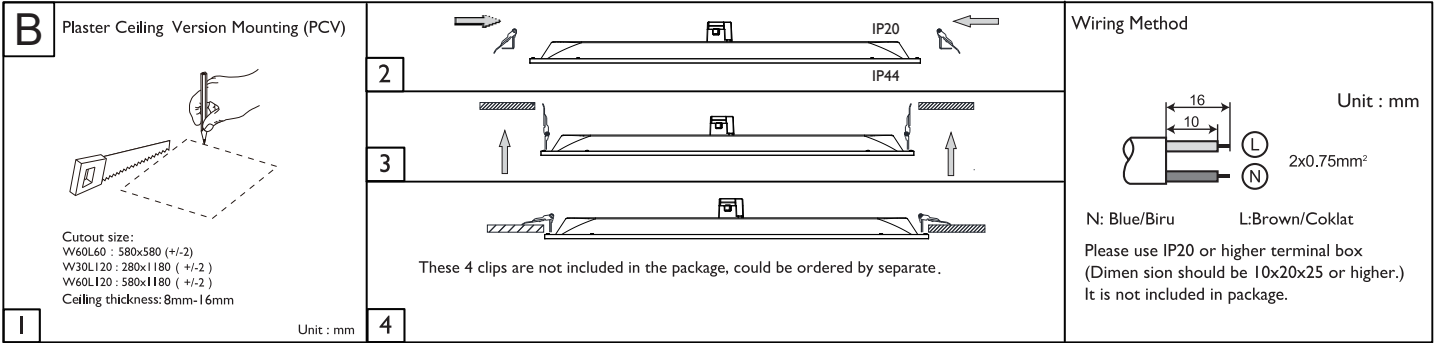
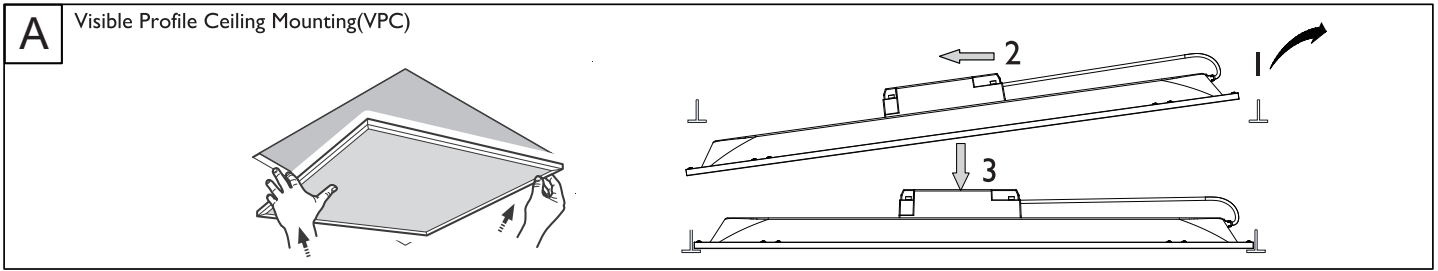
Model	L	W	H	Unit
REVOLVE120 PNL IP44 6060	595	595	34	mm

# Installation Instructions:

1. Turn off the Luminaire before installing.
2. Connect the Luminaire as the recommended implementation as below.
3. Turn on Luminaire after installation completed

<p>Plaster ceiling set</p> <p>4x 8x 3.5x5</p>	<p>Suspension set</p> <p>4x 6xST4 2x 8xST3.2 6x Ø 6</p>	<p>Surface mounted set</p> <p>2x 2x 12x 4x/6x</p>	<p>Safety cable</p> <p>1x 2x 4 x ST3.2</p>
---	---	---	--

\*Accessories to be ordered separately



Please read this manual carefully before using the product.

1. For indoor use only.
2. Do not switch on before completing the installation.
3. The luminaire shall be installed by a qualified electrician and wired in accordance with the latest IEE electrical regulations or the national requirements.
4. If the external flexible cable or cord of this luminaire is damaged, it shall be exclusively replaced by the manufacturer or his service agent or a similar qualified person in order to avoid a hazard.
5. The luminaire shall not be covered with thermal insulation or similar material under any circumstance.
6. The light source contained in this luminaire shall only be replaced by the manufacturer or his service agent or a similar qualified person.
7. The luminaire is complied with IEC 60598.
8. The corrosive atmosphere or hazardous materials such as sulfur, chlorine, phthalate, etc. must be avoided during the use and storage.

